



BrightShelf[®] Maintenance & Care

MAINTENANCE & CARE GUIDE

To ensure that your BrightShelf[®] continues to perform to its maximum potential, it is recommended that a comprehensive cleaning plan is put in place to continually monitor the surface condition of your light shelf system. Although BrightShelf[®] incorporates a highly reflective lighting sheet that resists dust collection; it is inevitable that you will have to periodically clean your shelf system. Although many factors contribute to the amount of dust collection, we recommend that BrightShelf[®] be cleaned at intervals similar to dusting your furniture.

A dirty light shelf system can lose up to 70% of its efficiency

BrightShelf[®] is designed with a simple to use rotational clip mechanism that allows you to rotate your shelf downward allowing easy access for cleaning the top surface of the BrightShelf[®]. Simply grab with one hand at the center of a section at the nose and place your other hand on the rear support at the center of the back extrusion. Simply lift the shelf horizontally approx ¼" until the shelf meets resistance, then pull towards you another ¼" until you meet another stop. The shelf at this point will be able to drop horizontally another ¼" where then it will rotate downward approx 85 degrees. Lower the shelf until it stops. You are now ready to clean the surface of the light shelf. To return the BrightShelf[®] to its original position, simply reverse the procedure. See the below diagrams:

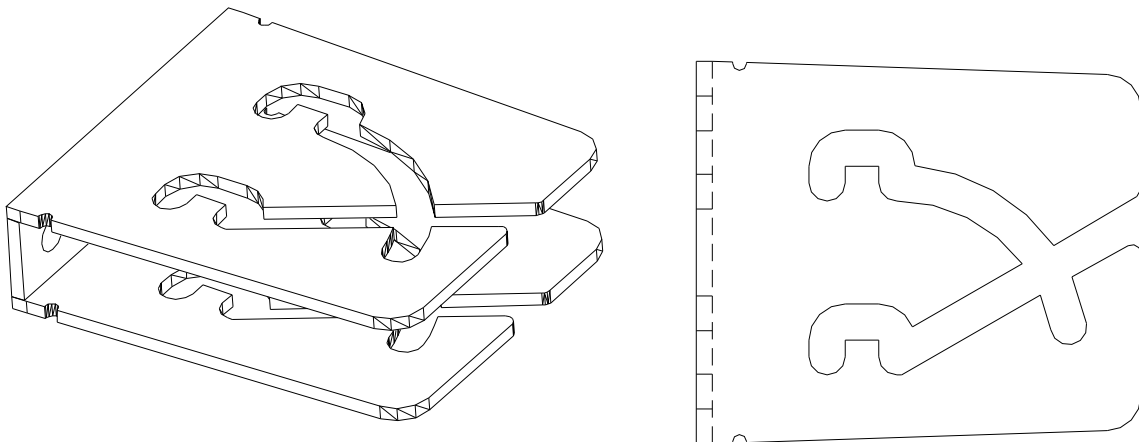


FIGURE 1

FIG. 2 illustrates the shelf in serviceable fixed normal position. The shelf is held horizontal positively locking the unit from tilting or rotating forward. This is the position that the shelf is normally in.

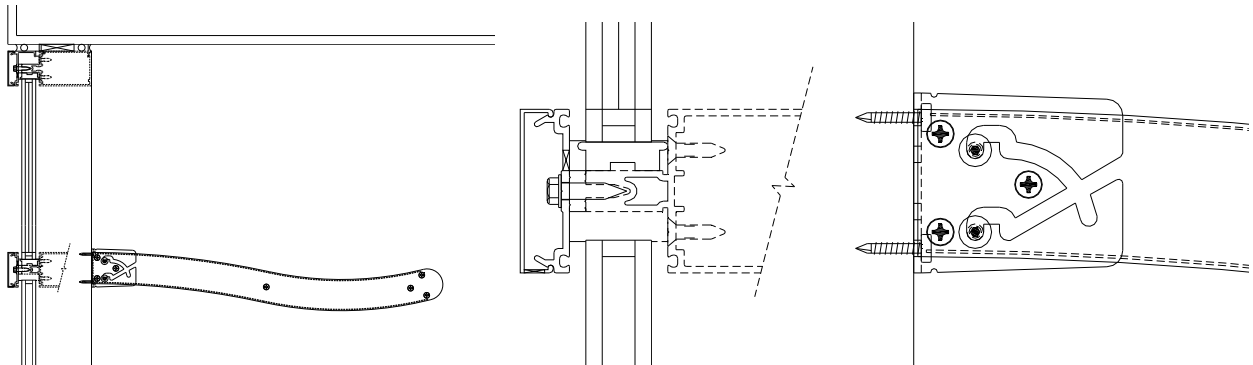


FIGURE 2

FIG. 3 illustrates an upward then inward motion of the shelf locking the shelf from further rotation upward or downward.

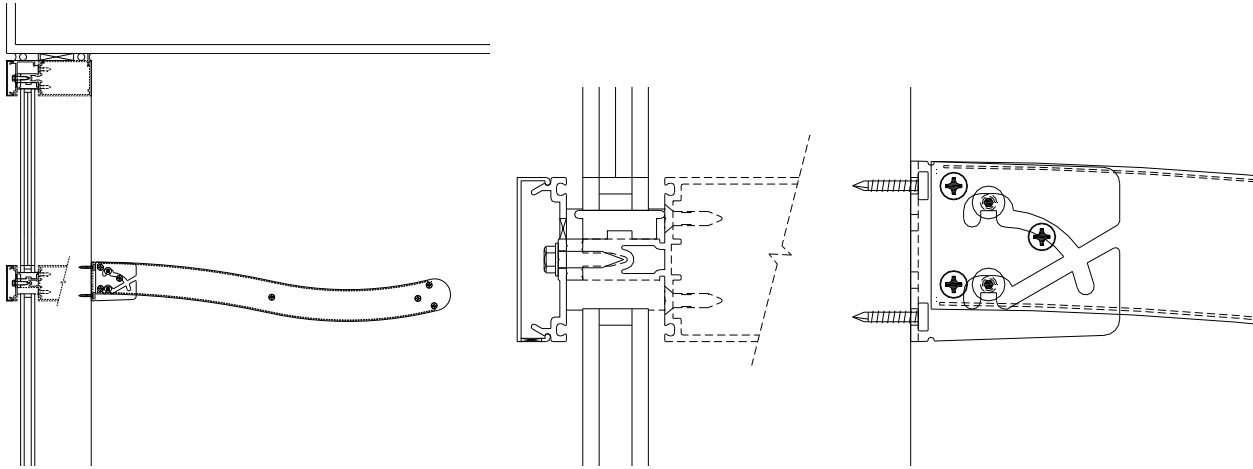


FIGURE 3

FIG. 4 illustrates the shelf in horizontal position, making the shelf horizontal, but not positively locked from rotation.

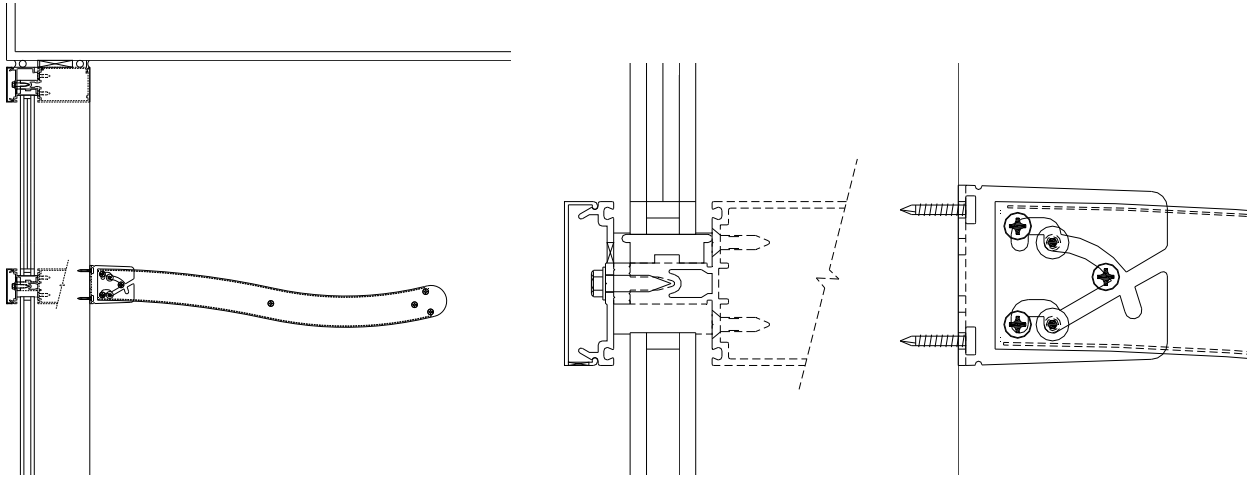


FIGURE 4

FIG. 5 illustrates the maintenance position of the light shelf, rotated downward 85 degrees from horizontal. The light shelf is held in place via the tracks in the clips and is not allowed to rotate any further downward as pressure is applied for cleaning procedures such as applying cleaner or dusting the shelf. Notice the shelf will not slide out of the tracks in this position.

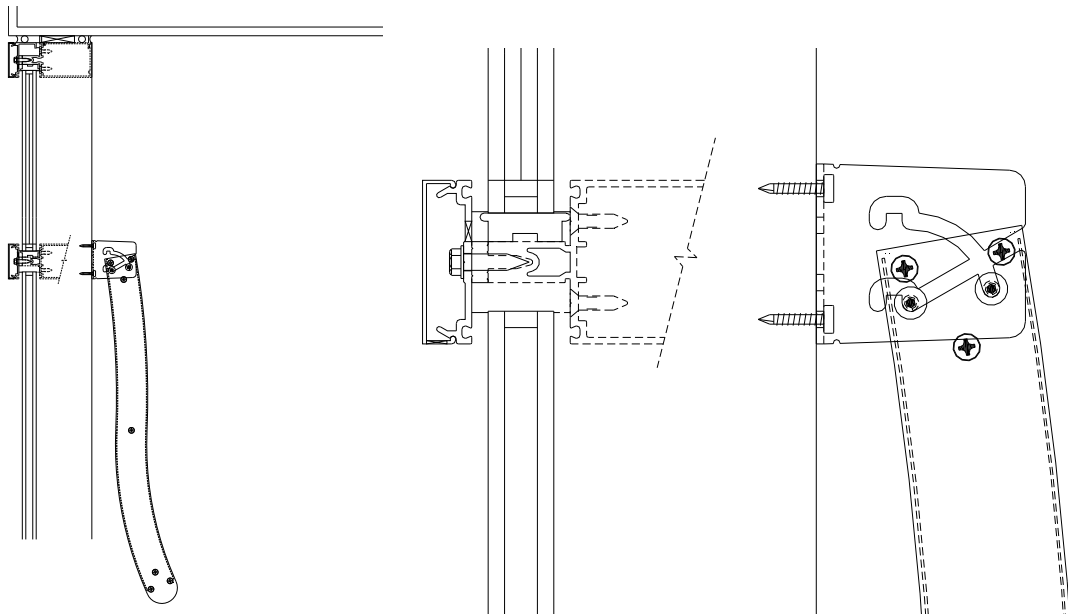


FIGURE 5

It is important to not put undue pressure on the BrightShelf[®] when it is in the downward rotated position, as this can impose a great amount of load on the attachment clip. Loads that are too great may damage the light shelf, the light shelf bracket, or the window system to which the light shelf is attached.

The light shelf reflective sheet is a bright polished anodized surface. We recommend a light dusting using a soft cloth or a static dusting cloth such as a Swiffer. Even though you may not be able to see it, the reflective lighting sheet has a slight grain in the long direction. Dust the lighting sheet in a left to right motion, with the grain of the lighting sheet.

To remove fingerprints, dirt, and debris, we recommend using a mild soap and soft cloth again wiping in a left to right motion, with the grain of the lighting sheet. If persistent dirt remains we recommend using one of the following cleaners:

- 50-50 isopropyl alcohol - water mixture
- Ammonia free glass cleaner
- Simple Green

UNDER NO CIRCUMSTANCE SHALL ABRASIVE CLEANERS BE USED ON ANY SURFACE OF THE LIGHT SHELF SYSTEM.

To ensure your BrightShelf[®] continually performs up to its potential it is just as important to keep the daylighting window surface, both inside and out, clean. Dirty daylight windows are just as important to keep clean as the light shelf system itself. If the light doesn't get to the surface to be reflected then the light shelf performance suffers. Follow recommendations on cleaning the windows from the window supplier. Ensure that any cleaners are used on the daylighting window are compatible with the BrightShelf[®] cleaning procedure, as chemicals may overspray, drip, or spill on the shelf surfaces.

Treat all other surfaces, outriggers and bottom sheet in the same manner as the lighting sheet. These surfaces do not have a grained surface so there is no restriction on direction of wiping.

CONTACT INFORMATION

H&H Enterprises, Inc.- Architectural Metals
12520 Grant Drive #100
Thornton, CO 80241
info@brightshelf.com
303-429-4847
303-429-0826 fax



BrightShelf[®] is a registered trademark of H&H Enterprises, Inc.
U.S. Patent 8,027,092B1